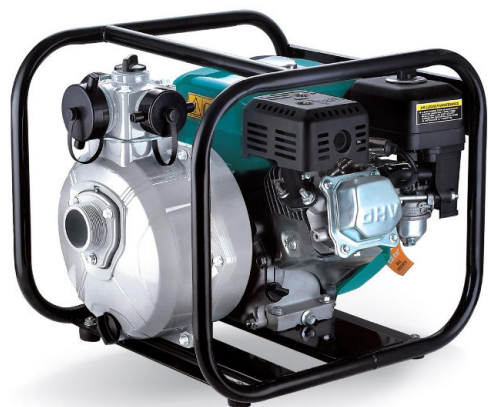


LGP-H(G-2G-3G-4G) Petrol engine pump



Application

- Transfer of clean water at a temperature between 0 and 40 ° C
- Usable for water supply and drainage for factories, mines, public facilities as well as for irrigation
- Suitable for transferring water over a long distance and a great height

Pompe

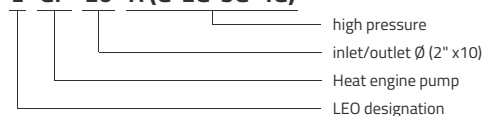
- Portable and compact pump frame
- Turbine design for high hydraulic efficiency
- Cast iron impeller and diffuser (cataphoresis)
- Maximum suction at 8 m, priming time at 5 m of 2 min
- Suction: 38 or 50 mm depending on model
- Discharge: if suction in 38 mm, 1x38 mm and 2x25mm
- if suction in 50 mm, 1x50 mm and 2x38 mm

Moteur

- LEO engine as standard, Honda or Briggs and Stratton engine as option
- Single cylinder, 4-stroke, air-cooled
- Maximum power 6,5 CV
- Rotation speed: 3600 rpm
- Reliable motor fitted with an oil shortage cut-off system

Identification codes

L GP 20 A (G-2G-3G-4G)



LGP20-3G
LGP20-4G

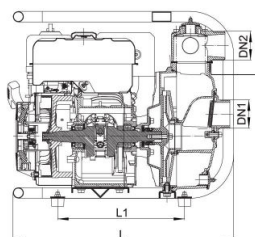
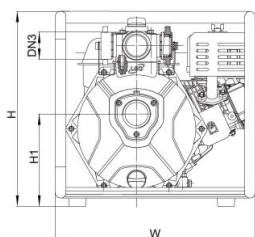


LGP20-G
LGP20-2G **HONDA**

Technical data

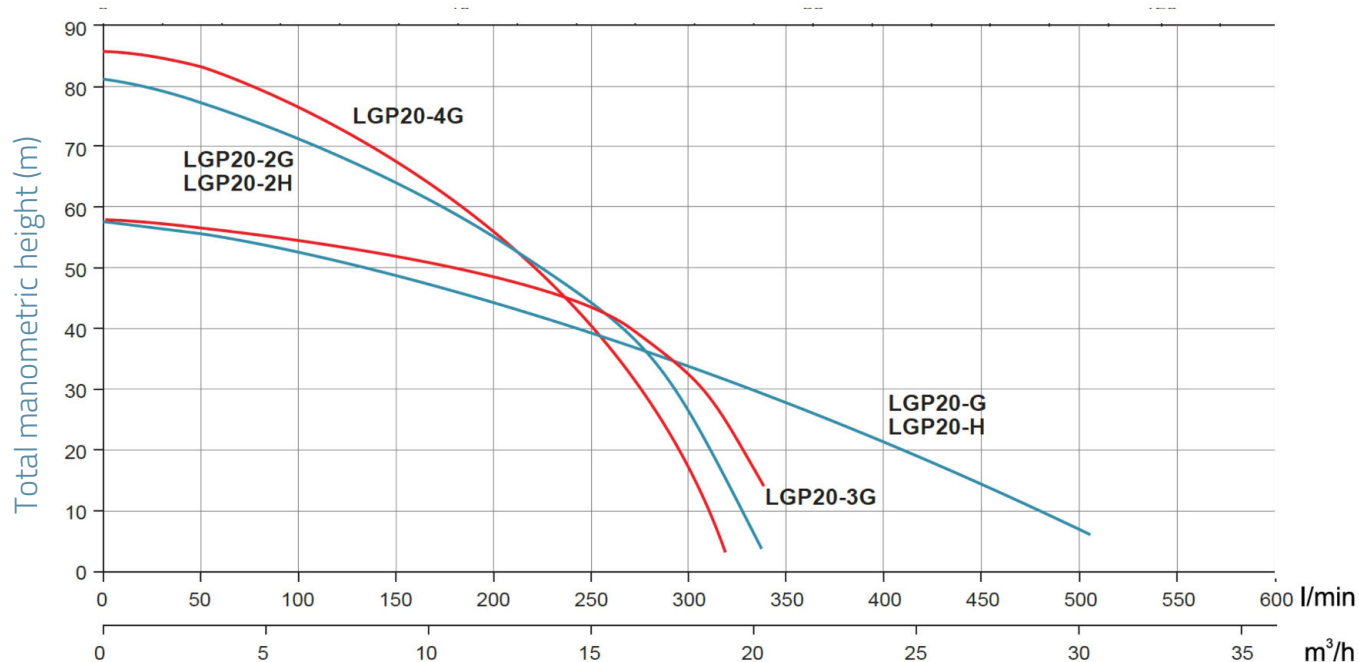
MODEL	kW	Q (m ³ /h)							
		0	5	10	15	20	25	30	
		Q (l/min)	0	83	167	250	333	417	500
LGP20-2G	4.85	84	77.7	61.6	38.3	4.9			
LGP20-H	4.85	58	51	45	38.5	29	19	6	
LGP20-2H	4.85	81	72.5	60	45	5			
LGP20-3G	4.85	59	55.2	50	42.8	15			
LGP20-4G	4.85	86	77.6	60.7	40	4.4			
LGP20-G	4.85	59	54	46.8	39	30	20	5.4	

Dimensions



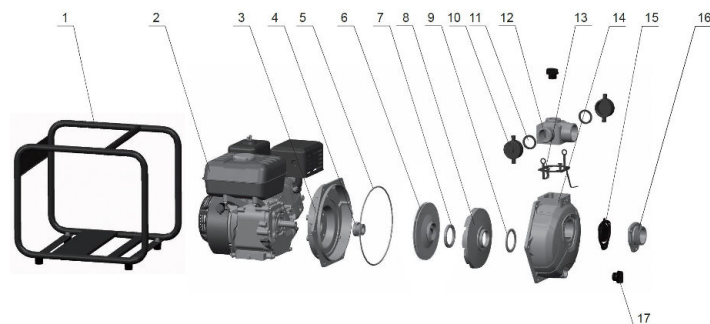
MODEL	DN1	DN22xDN3	L	W	H	H1
LGP20-2G	2	2	1½	530	420	425 192.2
LGP20-H	2	2	1½	463	398	406 200
LGP20-2H	2	2	1½	463	398	406 200
LGP20-3G	1½	1½	1	530	420	425 190
LGP20-4G	1½	1½	1	530	420	425 190
LGP20-G	2	2	1½	530	420	425 192.2

Hydraulic performance



Exploded view

No.	Type	Materials
1	Frame	steel
2	Engine	
3	Pump bottom	aluminium
4	Mechanical seal	carbon / ceramic
5	O-ring	nitrile rubber (NBR)
6	Impeller	aluminium
7	Wear ring	nitrile rubber (NBR)
8	Diffuser	cast iron HT200
9	Watertight ring	nitrile rubber (NBR)
10	Plug	polypropylene
11	O-ring	nitrile rubber (NBR)
12	Outlet fitting	aluminium
13	Seal	nitrile rubber (NBR)
14	Pump body	aluminium
15	Non-return valve	nitrile rubber (NBR)
16	Inlet fitting	aluminium
17	Drain plug	PA6 resin



Packaging

MODEL	Weight (kg)	Length L (mm)	Width W (mm)	Height H (mm)
LGP20-2G	27	545	435	465
LGP20-H	23.22	470	412	432
LGP20-2H	23.24	470	412	432
LGP20-3G	27.2	545	435	465
LGP20-4G	28.2	545	435	465
LGP20-G	25.5	545	435	465

